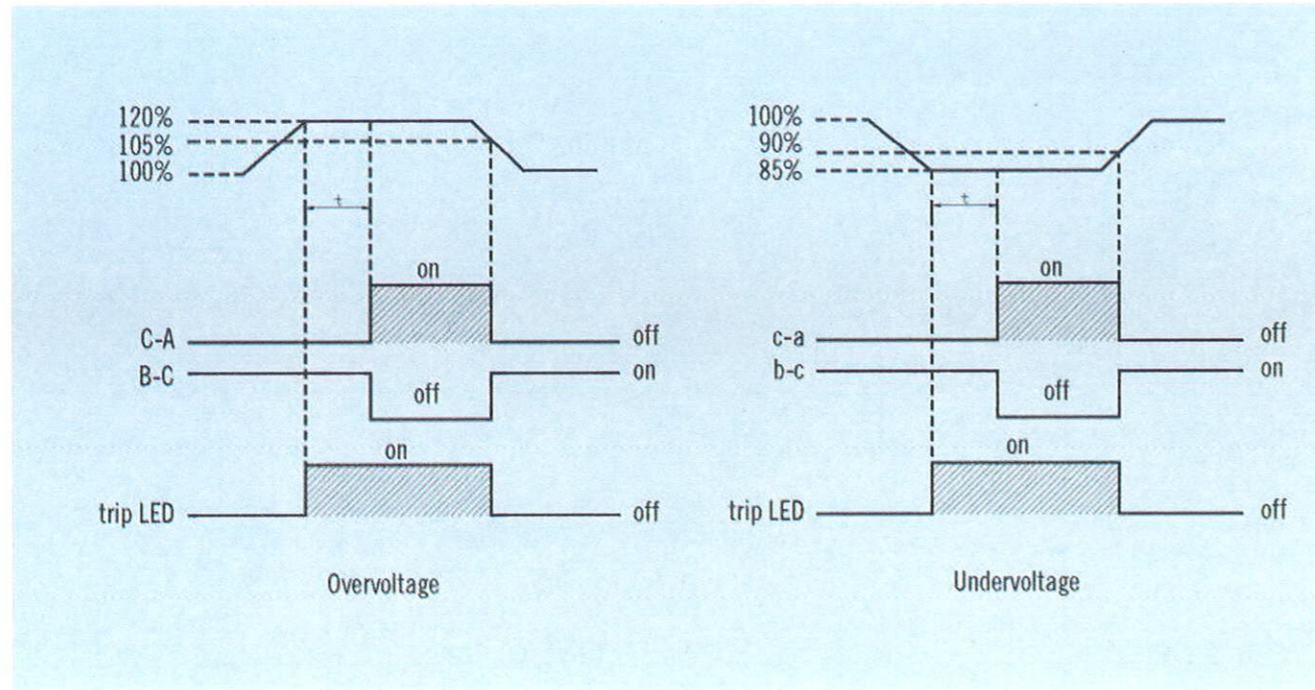
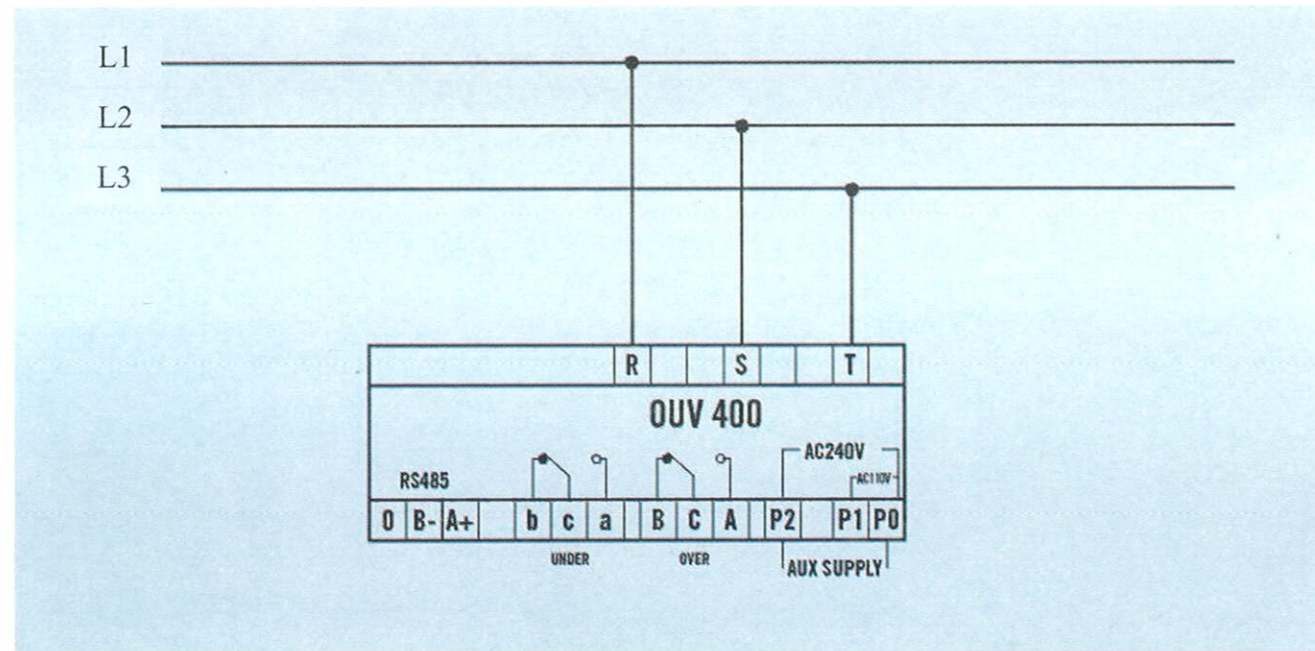


Operating Characteristics

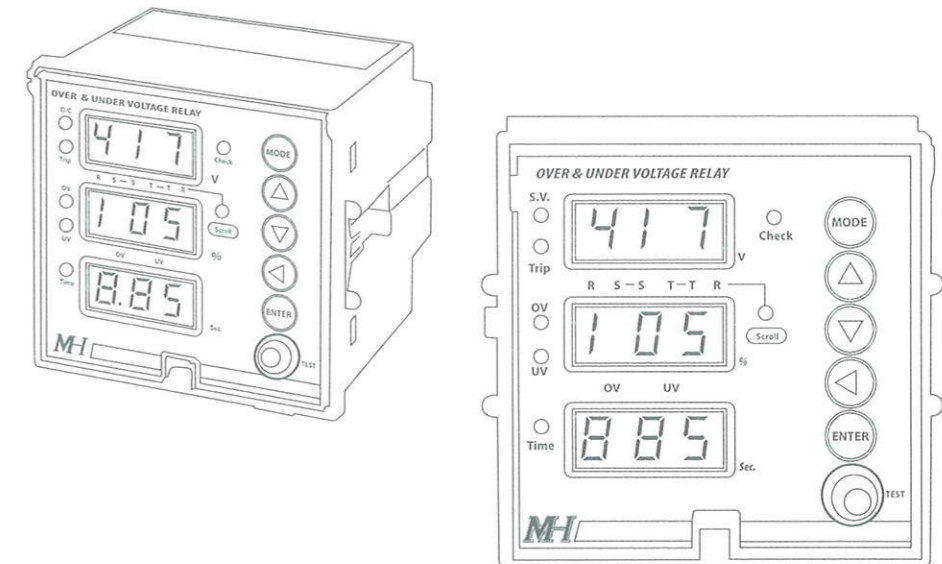


Connection Diagram



MH Protection Relays

A Protection Class of its Own
Over & Undervoltage Relay • OUV400



Authorized Dealer:

Product specifications and features are subject to change without prior notice

MH Protection Relays

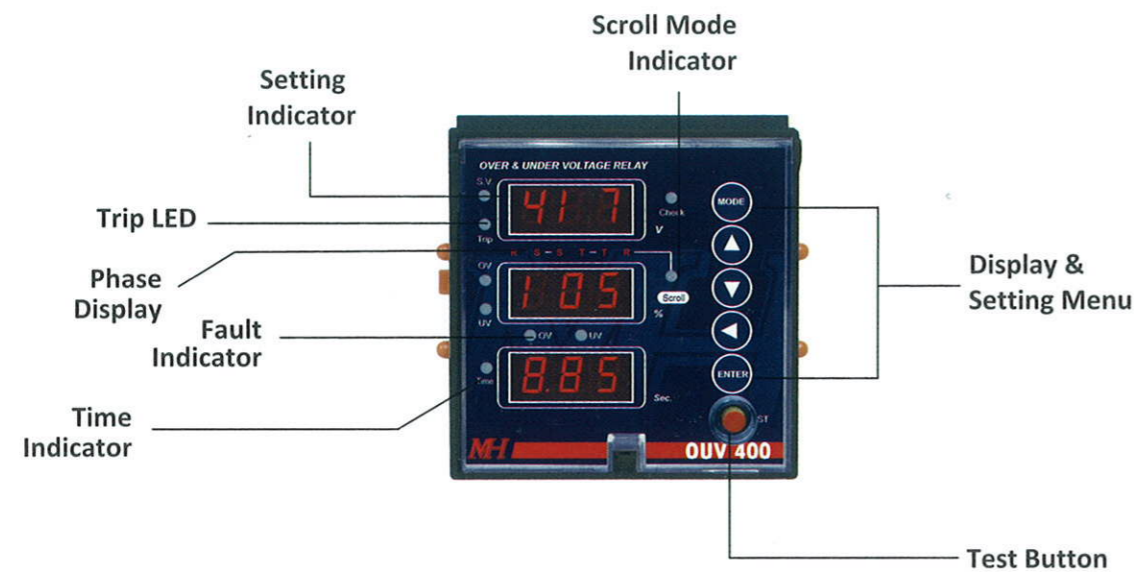
MH11/06/OUV400/1.1

MH represents a legacy of design and development, specializing in power management and power quality solutions and its core expertise, electrical protection relays. The MH Protection Relays has its heritage dated since 1981 where, designed by Mun Hean and manufactured by Kasuga of Japan, developed a range of electronic relays that dominated the market for decades.

Today, with its own R&D wing, Mun Hean Technology Pte Ltd, MH continues this tradition. Anchored on the exclusive MTB fault indication system, we proudly bring to you this state-of-the-art protection relay series that is truly, A Protection Class of its Own.

Features

- Microprocessor-based with highest accuracy
- Manual test button for relay operation checking
- Real-time monitoring of voltage levels
- With over & undervoltage mode selection
- Voltage monitoring ranges from 100 – 480VAC
- Trip value recording (4-memory)
- Integrated surge arrester against transient overvoltages
- Tamper-proof design for settings protection
- Serial interface RS485 for Modbus RTU communication (optional)
- Type tested for EMC compliance in acc. with IEC 61000



Characteristics	
Power supply	Dual voltage source AC110/240V ± 15% (other voltages available on request)
Operating frequency	50/ 60Hz
Overvoltage setting	100 – 130%
Undervoltage setting	70 – 100%
Operating time setting	0 – 60 sec
Reset	Automatic
Operating and storage temperature range	Operating -10°C to 55°C Storage and transit -20°C to 65°C
Relative humidity (IEC 60068-2-30)	95% at +40°C
Degree of protection (IEC 60529)	IP52
Voltage withstand (IEC 60255-5)	2kVrms for 1min between all case terminals connected together and the case earth terminal 2kVrms for 1min between independent circuit including contact circuits
Power Consumption	Approximately ≤4VA
Vibration withstand capacity (IEC 60255-2-1)	0.5G between 10Hz and 150Hz
Operational life expectancy	Electrical: > 1 x 10 ⁵ operations Mechanical: > 5 x 10 ⁶ operations
Output contact	AC 250V 5A
LED status indication	● (Normal operation) ● (Fault current detected)
Housing material	ABS resin complying with UL94VO
Unit weight	Approximately 550g
Compliance with standards	
IEC/EN 61000-4-2	Electrostatic-discharge immunity test
IEC/EN 61000-4-3	Radiated, radio-frequency, electromagnetic-field immunity test
IEC/EN 61000-4-4	Electrical fast transient/burst immunity test
IEC/EN 61000-4-5	Surge immunity test
IEC/EN 61000-4-6	Immunity to conducted disturbances, induced by radio-frequency fields
IEC/EN 60255-1	Measuring relay and protection equipment
IEC/EN 60255-5	Insulation coordination for measuring relays and protection equipment – Requirement and tests

Dimensions

